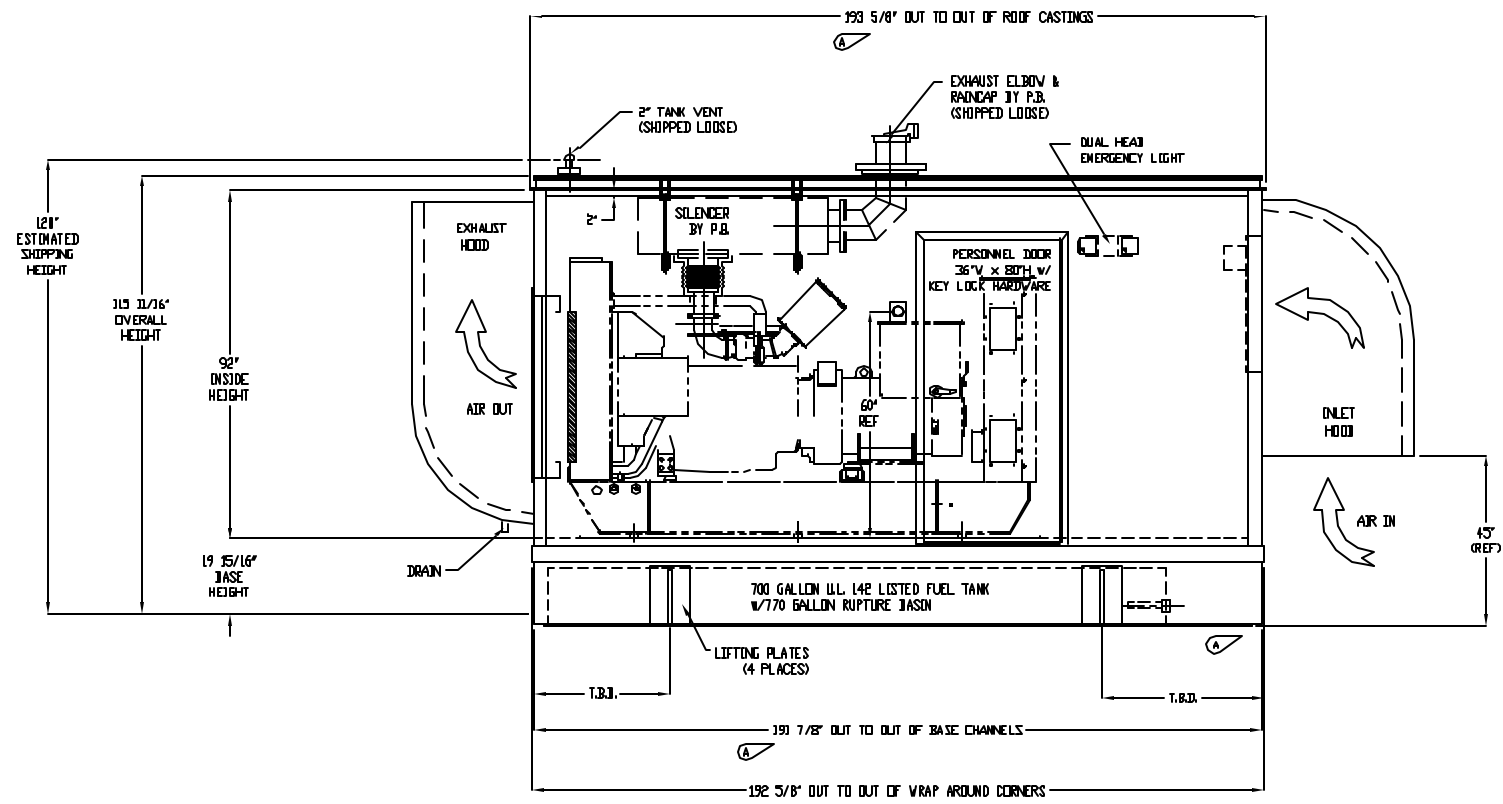
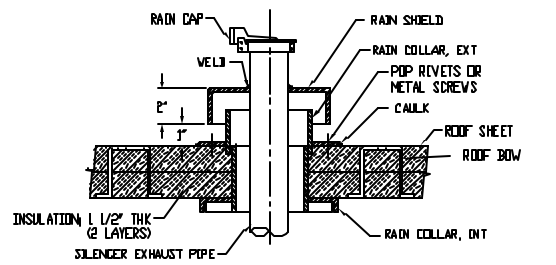


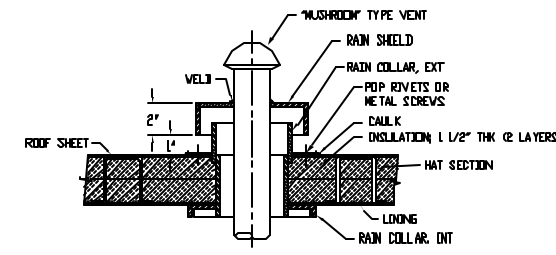
REVISIONS				
ZONE	LTR	DESCRIPTION	DATE	APP'D
	A	REV'D ENCLOSURE LENGTH (MF)	5/25/06	MFV



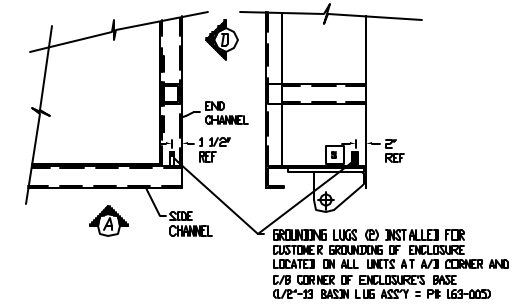
"C" SIDE WALL



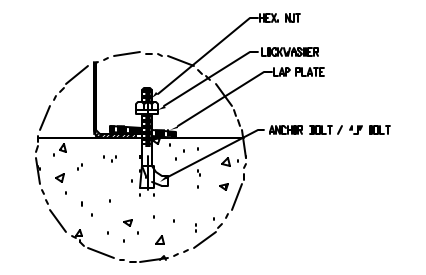
RAIN SHIELD / COLLAR INSTALLATION



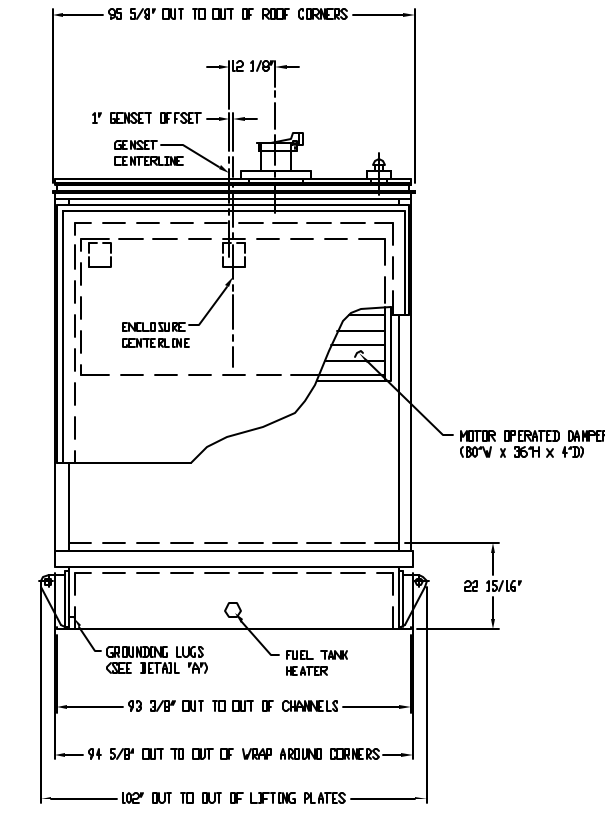
VENT SHIELD/COLLAR INSTALLATION



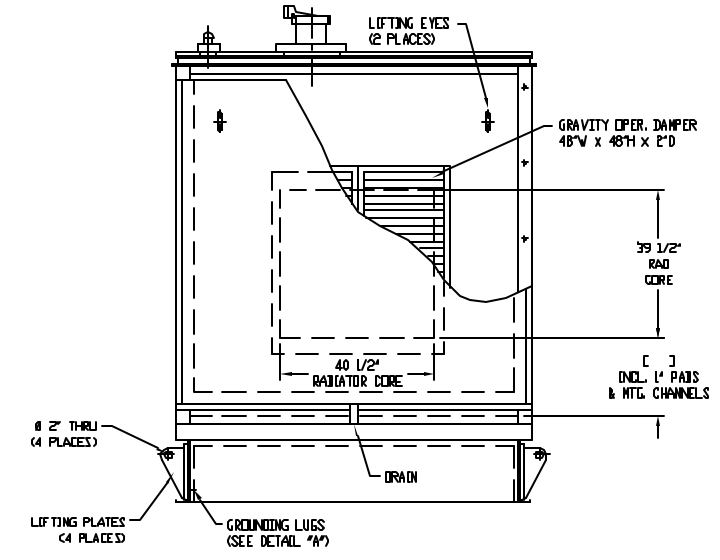
DETAIL "A"  
EXTERNAL GROUNDING LUGS  
FOR CUSTOMER GROUNDING OF ENCLOSURE



RECOMMENDED  
TIEDOWN PROCEDURE  
SUPPLIED & INSTALLED BY OTHERS



"B" END WALL



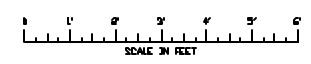
"D" END WALL  
(REMOVABLE)

DRAWING FOR APPROVAL  
NOT FOR CONSTRUCTION PURPOSES

APPROVED AS DRAWN   
 APPROVED AS NOTED   
 REVISE AS NOTED, RESUBMIT

\_\_\_\_\_  
SIGNATURE DATE

\_\_\_\_\_  
NAME (PLEASE PRINT) TITLE



WHITEBOOK - C9, 300KW		UT #148 Title No. REVISED
CUSTOMER:	MILTON CAT	THIRD-ANGLE PROJECTION
REFERENCE:	WHITEBOOK - C9, 300KW	
UNITS REQ'D:	(1) ONE	REVISION
<small>PATENT NO. 6,088,888 PRITCHARD-BROWN, LLC CLAIMS PROPRIETARY RIGHT IN THIS MATERIAL. CONSULT PRITCHARD-BROWN, THIS DRAWING IS ISSUED FOR BIDDING INFORMATION ONLY AND MAY NOT BE REPRODUCED OR USED TO MANUFACTURE ANYTHING BROWN ENGINEERING WITHOUT PERMISSION FROM PRITCHARD-BROWN, LLC TO THE USER.</small>		A
<b>PRITCHARD-BROWN, LLC</b> 65M BRIDMAN AVE. BALTIMORE, MD 21286		DATE 5/23/06
192"L. x 94"W. x 92"H. GENERATOR ENCLOSURE		
DRW. MF	JOB SERIAL NO.	M061060
CHEK. BJS./RG		
APP. MS.		
APP. MF	SCALE:	SEEK 2 OF 5

created using AutoCAD